

## Multi-Port Print Server

- ▶ Share up to four (4) printers with multiple users
- ▶ Connect both parallel and serial (RS-232) printers
- ▶ 10/100Base-T Ethernet interface (RJ45)
- ▶ Supports multiple operating systems and protocols
- ▶ Simple installation with included EZWebCon software
- ▶ Web-based management for easy setup
- ▶ Flash ROM for easy upgrades
- ▶ Built-in universal (95-250VAC, 50/60Hz) power supply

## Quickly and Easily Share Printers over Ethernet with Multiple Users

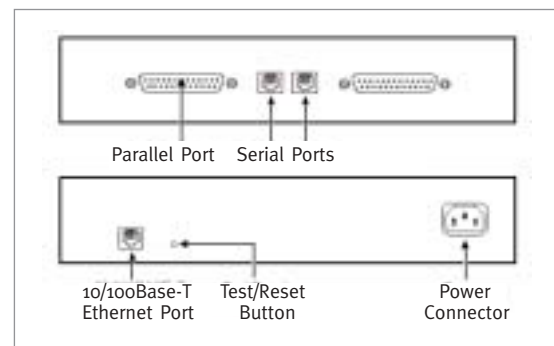
The EPS2-100 Print Server quickly connects to the parallel or serial (RS-232) port on laser, inkjet and even dot matrix printers, enabling multiple users to access and share them over Ethernet.

With an 'always on and ready' print server, there's no need to dedicate a computer to share a printer. Multi-protocol support means that PC, Mac and Linux/Unix users can share a single printer, on the same network. Protocol support includes NetBIOS/NETBEUI, LPR for Windows® and Linux/Unix systems, IPX for Novell NetWare, AppleTalk/EtherTalk for Mac OS and LAT for DEC equipment.

Use the included EZWebCon™ software for quick and easy initial setup. Once installed, the print server can

be reconfigured or managed from any computer with a web browser. A command line interface is available via Telnet as an alternative method to configure the unit.

The EPS2-100 print servers are ideal for both small workgroups and large enterprises, providing seamless network printing for all major network protocols and operating systems.





## Features

### Transport Protocols

TCP/IP, IPX, AppleTalk, NetBIOS/NetBEUI, NDS, NDPS and LAT (LAT license required)

### TCP/IP Protocols

ARP, RARP, ICMP, SNMP, BOOTP, DHCP, TFTP, LPR, Telnet, HTTP

### Data Rates

Serial: 300bps to 230 Kbps  
Parallel: 150 Kbps burst rate

### System Software

Flash ROM Standard:  
downloadable from TCP/IP host (TFTP download),  
DECnet host (MOP download) or  
NetWare file server

### Management

SNMP Compatible  
DHCP  
EZWebCon: Lantronix's management software  
Telnet  
HTTP

### Diagnostic LEDs

Power  
Polarity  
Link  
OK  
Network  
Parallel  
Serial

### Compatibility

Ethernet version 2.0/IEEE  
802.3/IEEE 802.3u

### Agency Approvals

FCC A, C/UL, TUV, CE

## Hardware

### Interface

Ethernet: 10/100Base-T (RJ45)

### Parallel Interfaces

2 Centronics/Bitronics (DB25)

### Serial Interface

2 RS-423/RS-232 (RJ45)

### Power Requirements

Internal switching power supply  
(95-250VAC) 50/60 Hz

### Environmental

Operating temperature  
5° to 50°C (41° to 122°F)  
Storage temperature  
-40° to 66°C (-40 to 151°F)

### Physical

#### Dimensions (L x W x H)

13.6 x 26.3 x 5.0cm  
(5.35 x 10.35 x 2.0 in)

#### Weight

EPS2-100: 2.07 lbs (.95 kg)

#### Shipping Dimensions (L x W x H)

12.86 x 28.7 x 21cm  
(8.25 x 11.3 x 5.06 in)

#### Shipping Weight

EPS2-100: 3.51 lbs (1.6 kg)

### Warranty

1-year limited warranty

### Ordering Information

#### EPS2-100-12

10/100 multiport print server, 2 DB25 parallel ports, Centronics/Bitronics compatible, 2 RJ45 (RS-232/RS-423) serial ports, 10/100Base-T (RJ45) network port, diagnostic LEDs, User Guide, CD-ROM with EZWebCon software and reference manual, internal switching power supply 90-250VAC

### LAT Licenses

#### LAT-EPS200

LAT license for EPS2-100, Required on per unit basis,  
Non-discountable

